



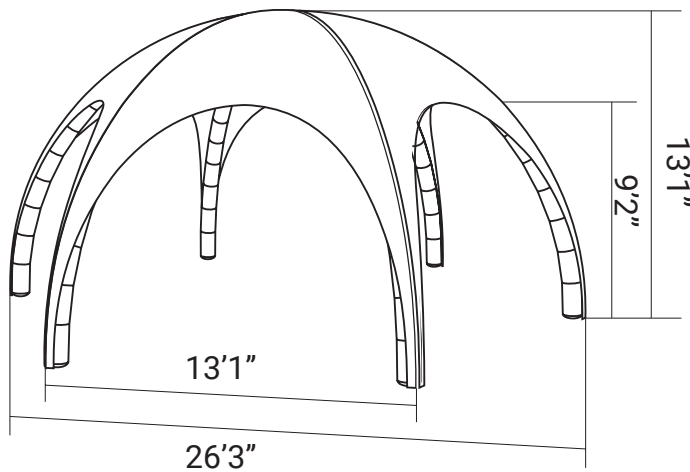
ITEM	SPECIFICATION
Size	26' x 26' (8m x 8m)
Height	13' (4000mm)
Clearance	10' (3000mm)
Frame & Roof Weight	62lb (28kg)
Frame Box Dimensions	31" x 24" x 16" (80cm x 60cm x 40cm)
Frame Profile Diameter	13" (300mm)
Framework	Thermoplastic polyurethane (TPU) with sleeve
Frame Colors	Black, Blue, Red and White ●●●○
Fabric	Plain 500D PVC Coated Polyester ○●●●●●
Plain / Printed	Printed 600D PU Coated Polyester
Inflatable Includes	Tie Down Ropes, Steel Stakes, Protective Cover Battery Electric Pump
Manufacturer's Warranty	Frame 5 Years / Polyester Plain & Printed 1 Year

ADDITIONAL INFORMATION

The Extreme Canopy high pressure inflatable tents are a light-weight product that is practical and simple to set up. These practical promotional tents simply need to be rolled out, pinned down and inflated.

TECHNICAL DIAGRAMS

26' x 26'



We Design | We Manufacture | We Sell | We Deliver America Wide
www.extremecanopy.com admin@extremecanopy.com (888) 201 1968

At Extreme Canopy we design & manufacture all of our products & deliver America wide.
 Please note; imperial measurements in this document have been rounded to the nearest foot, inch or pound. Contact Extreme Canopy for further information.