

EXTREME CANOPY

PERGOLA RANGE

THE EPITOME OF LUXURY OUTDOOR SHADING

10' x 10' | 10' x 13' | 10' x 20' | 13' x 20'

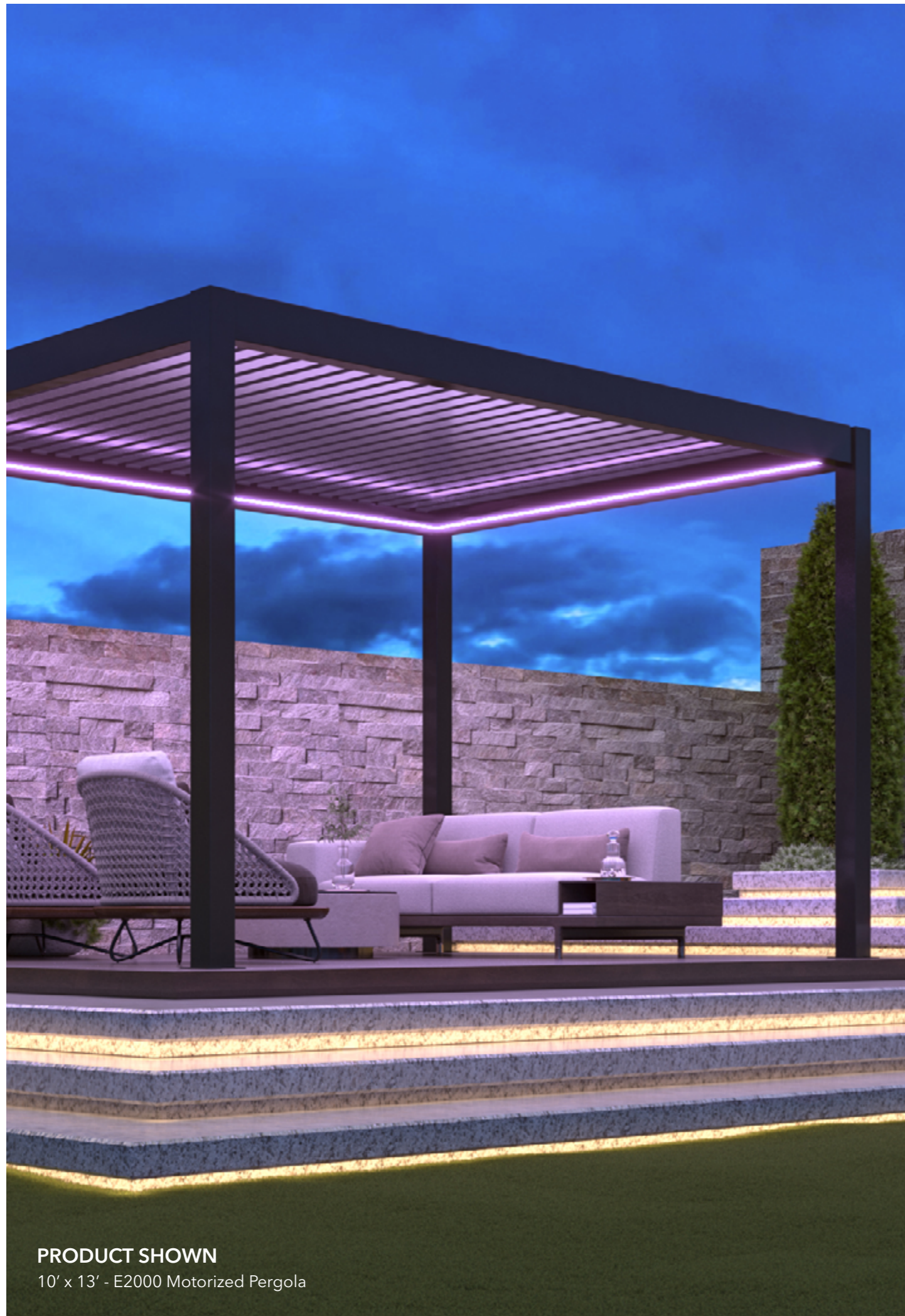




PRODUCT SHOWN

10' x 10' - E2000 Manual Pergola





PRODUCT SHOWN
10' x 13' - E2000 Motorized Pergola

PERGOLA RANGE

Extreme Canopy Pergolas are a game-changer in the world of outdoor shelter solutions. With their unique design, durability, versatility, and customization options, they offer a superior option for those looking to add a touch of elegance and functionality to their outdoor space. Whether for residential or commercial use, Extreme Canopy's Pergolas are a top choice for those seeking a high-quality and stylish outdoor shelter solution.



E2000 Manual Pergola
10' x 10', 10' x 13', 10' x 20', & 13' x 20'

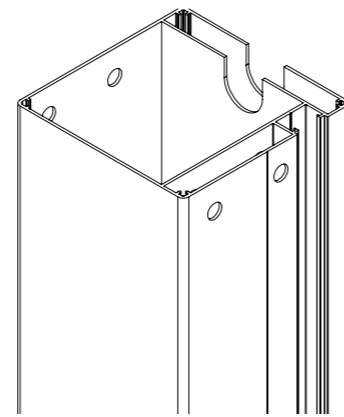


E2000 Motorized Pergola
10' x 10', 10' x 13', 10' x 20', & 13' x 20'



Specifications

E2000 Manual Pergola

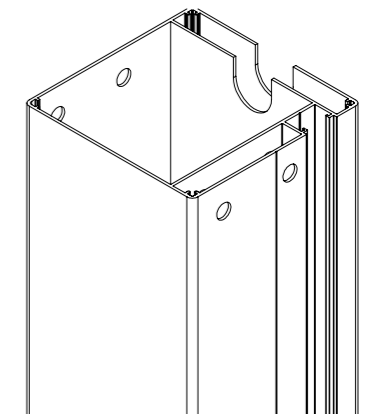


Main Frame profile
5" x 5" x 1/16" thickness

Size	10' x 10' (3m x 3m)	10' x 13' (3m x 4m)	10' x 20' (3m x 6m)	13' x 20' (4m x 6m)
Height	8' 2" (2.48m)			
Clearance (H)	7' 8" (2.33m)			
Clearance (L / W)	12' 4" (3.8m) (13' section) 8' 7" (2.6m) (10' section)			
Total Weight	364lb (165kg)	452lb (205kg)	646lb (293kg)	818lb (371kg)
Frame Profile	5" x 5" x 1/16" (120mm x 120mm x 1.8mm)			
Beam & Gutter	6" x 4" x 1/16" (150mm x 92.5mm x 1.5mm)			
Louvre Blade	6" x 1" x 1/16" (162.1mm x 30m x 1.4mm)			
Louvre Blade Max Angle	85°			
Open / Close Louvre Roof	Manual hand crank			
Base	Die-casted Base Plate Cover			
Frame Color	Powder Coated RAL 7016 Anthracite Gray			
Engineer Certificate	Yes			
Roof Weight Capacity	258lb per yd2 (140kg per m²)		166lb per yd2 (90kg per m²)	
Wind speed	112mph (180km/h)		94mph (151km/h)	
Optional Accessories	Manual Pergola Zip Screen (10' & 13')			
Includes	Pergola Frame, Manual Control Rod & Hand Crank, Louvre Blades & Driving Blade			
Warranty	Frame 15 years Powder Coating 5 Years			

Specifications

E2000 Motorized Pergola



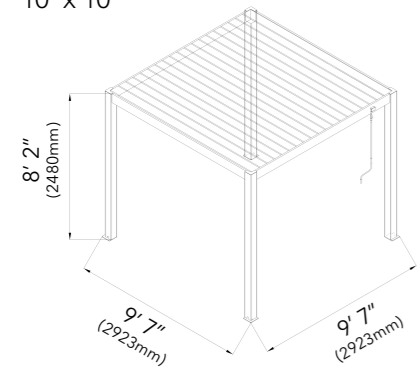
Main Frame profile
5" x 5" x 1/16" thickness

Size	10' x 10' (3m x 3m)	10' x 13' (3m x 4m)	10' x 20' (3m x 6m)	13' x 20' (4m x 6m)
Height	8' 3" (2.5m)			
Clearance (H)	7' 8" (2.33m)			
Clearance (L / W)	12' 4" (3.8m) (13' section) 8' 7" (2.6m) (10' section)			
Total Weight	375lb (170kg)	461lb (209kg)	659lb (299kg)	829lb (376kg)
Frame Profile	5" x 5" x 1/16" (120mm x 120mm x 1.8mm)			
Beam & Gutter	9" x 4" x 1/16" (175mm x 92.5mm x 1.5mm)			
Louvre Blade	6" x 1" x 1/16" (162.1mm x 30m x 1.4mm)			
Louvre Blade Max Angle	85°			
Open / Close Louvre Roof	Remote Control			
Base	Die-casted Base Plate Cover			
Frame Color	Powder Coated RAL 7016 Anthracite Gray			
Engineer Certificate	Yes			
Roof Weight Capacity	258lb per yd2 (140kg per m²)		166lb per yd2 (90kg per m²)	
Wind speed	112mph (180km/h)		94mph (151km/h)	
Optional Accessories	Manual Pergola Zip Screen (10' & 13')			
Includes	Pergola Frame, Manual Control Rod, Motor, LED Light Strip, Remote Control, Louvre Blades & Driving Blade			
Warranty	Frame 15 years Powder Coating 5 Years Motor & Remote Control 3 Years LED Light 2 Years			

Technical Information

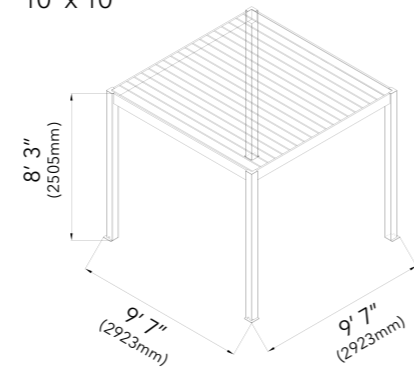
Manual

10' x 10'



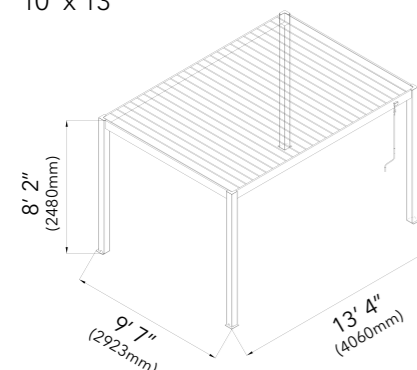
Motorized

10' x 10'



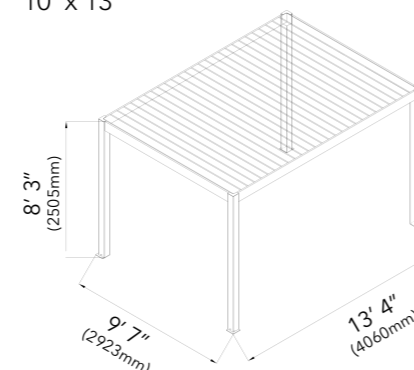
Manual

10' x 13'



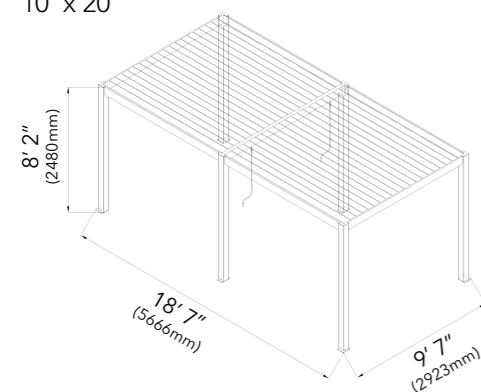
Motorized

10' x 13'



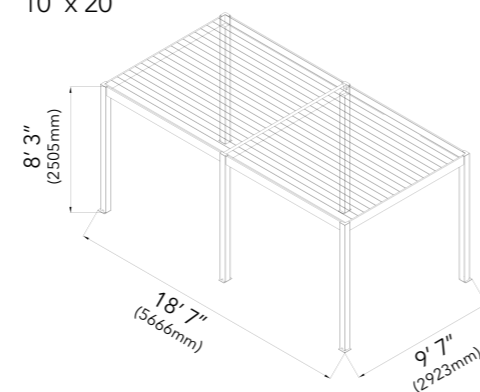
Manual

10' x 20'



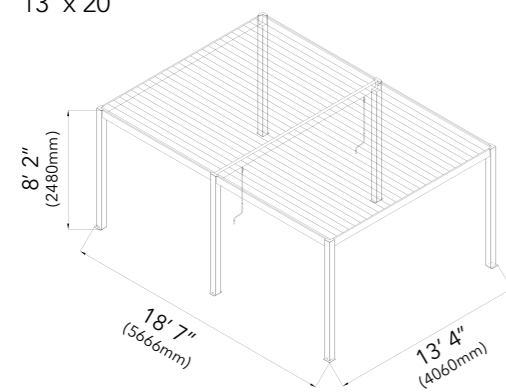
Motorized

10' x 20'



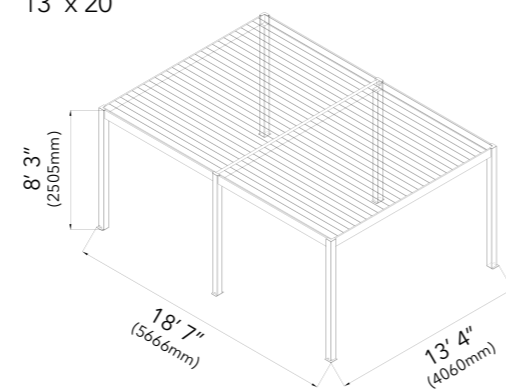
Manual

13' x 20'



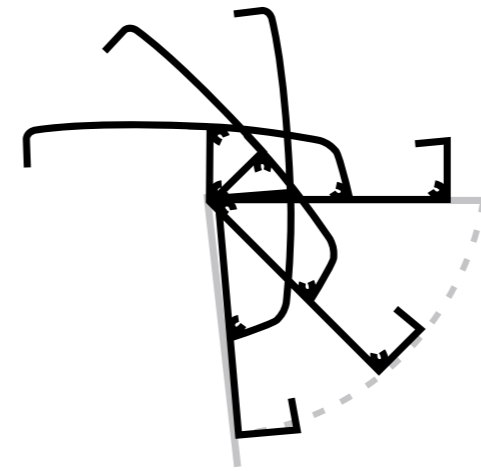
Motorized

13' x 20'



Louvre Roof

The Pergola Range roofing system uses flat-ceiling Louvre Blades, with anti-sagging design for strong waterproofness. The Louvre Blades can be rotated between 0° to 85°. So whether you want protection from the sun, rain, and snow, or whether you want to allow a beautiful breeze though, your pergola roof has the ability to meet any of your shading needs.



0° (Closed) - 85° (Opened)

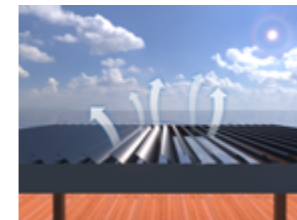
Manual Roof Control System
Manual Hand Crank



Motorized Roof Control System
Remote Control



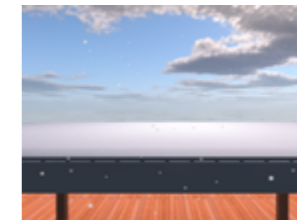
Air Ventilation



Waterproof



Snowproof (up to 1')



UV Protection



Frame Color



RAL7016
Anthracite Gray



RAL Value
7016

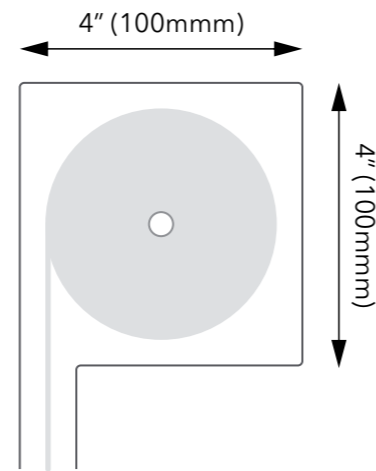
Color Name
Anthracite Gray

Pantone:
PMS 433

LRV (Light Reflection Value):
8.07

Optional Accessories

Pergola Zip Screen



Cassette Size

4" x 4"

Add extra shade to your Pergola setup with Extreme Canopy's Pergola Zip Screens! Available in 10' or 13', they are a perfect addition to the E2000 Pergolas. Adding extra shade, privacy, and protection against the elements never looked so stylish!

Available Sizes	10' (3m)	13' (4m)
Length x Height	8' 7" x 7' 6" (2.62m x 2.3m)	12' 4" x 7' 6" (3.8m x 2.3m)
Fabric Height	2' 9" (850mm) (Min) 9' 6" (2900mm) (Max)	
Cassette	4" x 4" x 1/16" (100mm x 100mm x 1.5mm)	
Side Rail	2" x 2" x 1/16" (39mm x 49mm x 1.6mm)	
Bottom Rail	10" x 1" x 1/16" (258mm x 26mm x 1.7mm)	
Roller Tube	2" (63mm) Tube	
Winding Mechanism	Spring System	
Frame Color	Powder Coated RAL 7016 Anthracite Gray	
Fabric	5% Black Gray	
Certification	NFPA 701 California US Title 19 ROHS	

Manual Control System

Spring System



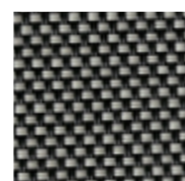
Frame Color

RAL 7016 Anthracite Gray



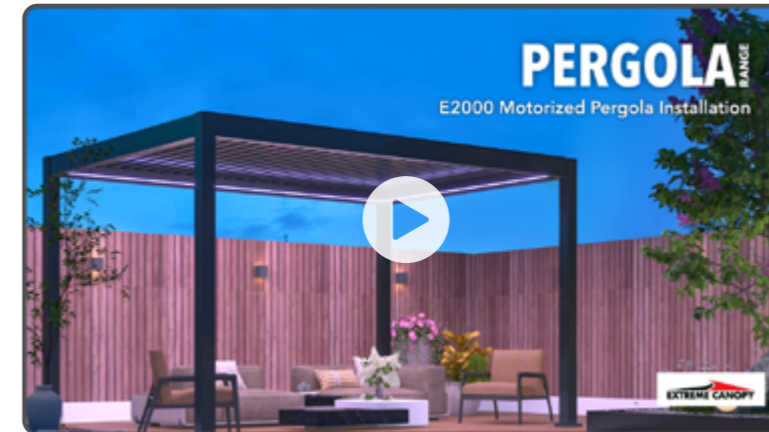
Fabric & Openness Factor

5% Black Gray



Resources

Instructions



E2000 Motorized Pergola Installation

<https://vimeo.com/925693413>



P 888- 201-1968 **E** admin@extremecanopy.com

17852 Gothard Street, Huntington Beach,
California 92647, United States America

SHOP ONLINE www.extremecanopy.com

