



ITEM	SPECIFICATION			
Clear-Span Width	19' 8" (6m)	26' (8m)	30' (9m)	33" (10m)
Eave Height	9'8 (2.95m)			
Ridge Height	13'4" (4.07m)	14'7" (4.44m)	15'2" (4.62m)	15'8" (4.79m)
Roof Pitch	20°			
Bay Distance	9' 10" (3m)			
Longest Component	11' 10" (3.6m)	13' 1" (4m)	15' 9" (4.8m)	17' 6" (5.35m)
Minimum Tent Length	19' 8" (6m)			
Maximum Tent Length	No Limit			
Roof Fixing	Bar Tensioning			
Main Profile	4.7" x 2" (120 x 48 x 3mm) – 4-channel			
Max Allowed Windspeed	50mph (80km/hr)			
Eave Connection	Hot-dip galvanized steel insert			
Framework Material	Hard pressed extruded aluminum 6061/T6 (13HW)			
Cover Material	850gsm White or Colored PVC		650gsm White PVC	
Wall Fabrics	950gsm Clear PVC		850gsm Colored PVC	
			950gsm Clear PVC	
Printing	Full Roof Digital Printing available			
Certification	Engineer Structural Certificate, Resistance of Fabrics to Water Penetration Test, Ultra Violet Protection Test, Fire Action Analysis			
Warranty	10 Year Frame / 3 Year Fabric			

ACCESSORIES

- Accessories
- PVC Window Sidewalls
- Rain Gutter
- Lining & Curtains
- Glass & Aluminum Door Units
- Hard Walling System
- Glass Walling System
- Transparent PVC Cover & Sidewall
- Flooring Systems
- Weight Plate

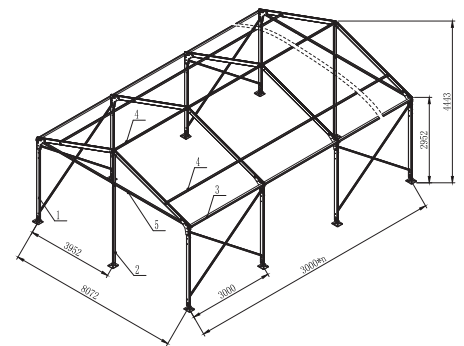
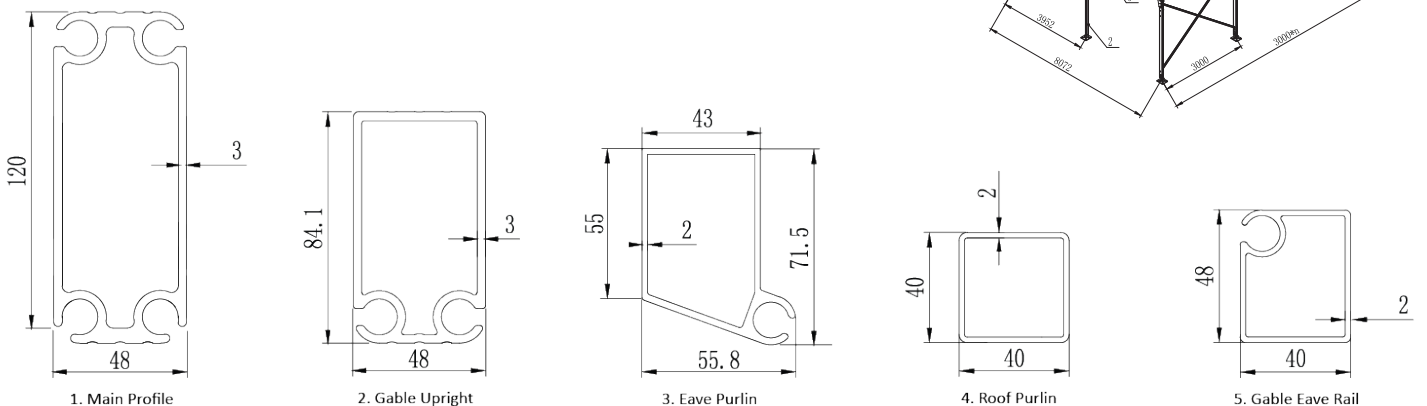
AVAILABLE COLORS

*additional cost may be applicable and subject to availability



FRAMEWORK & MAIN PROFILES

4.7" x 2" (120 x 48 x 3mm) Profile

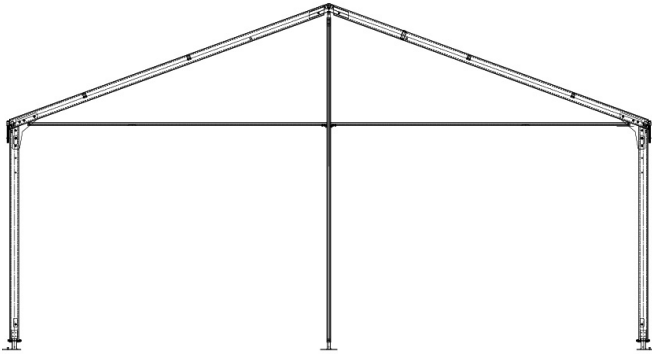


We Design | We Manufacture | We Sell | We Deliver America Wide
www.extremecanopy.com admin@extremecanopy.com (888) 201 1968

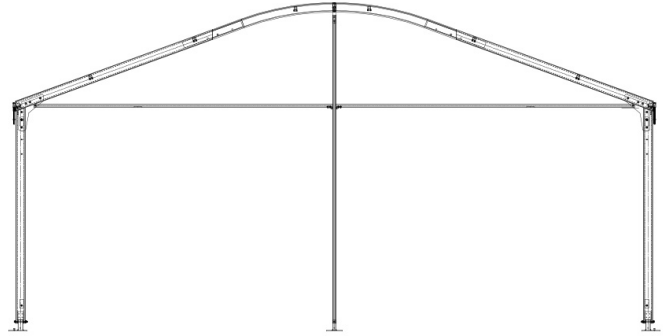
At Extreme Canopy we design & manufacture all of our products & deliver America wide.
 Please note; imperial measurements in this document have been rounded to the nearest foot, inch or pound. Contact Extreme Canopy for further information.

STYLES AVAILABLE

A FRAME

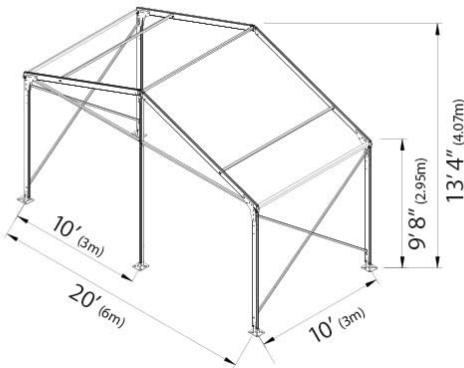


ACRUM

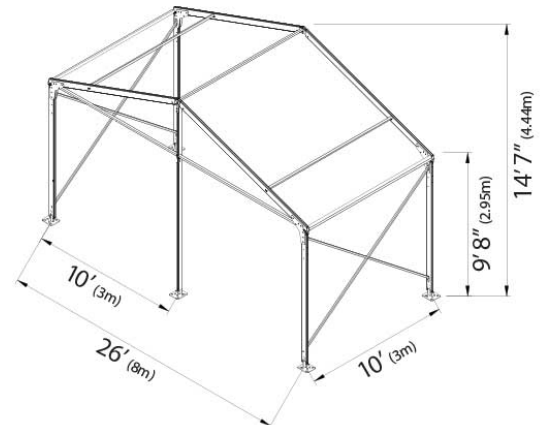


SPANS AVAILABLE

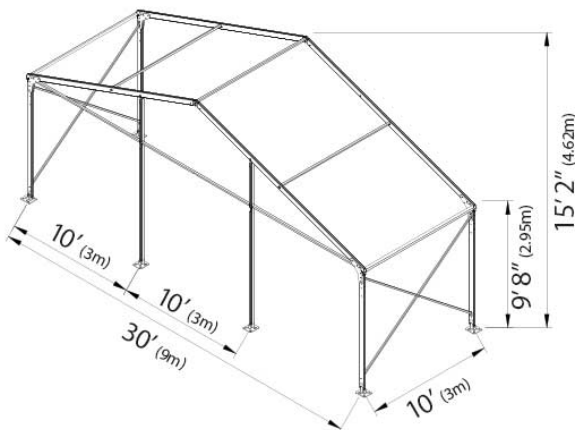
20' GABLE SPAN



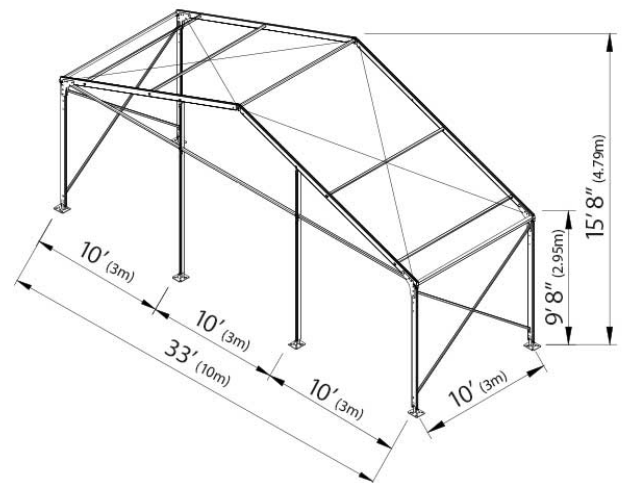
26' GABLE SPAN



30' GABLE SPAN



33' GABLE SPAN



We Design | We Manufacture | We Sell | We Deliver America Wide
www.extremecanopy.com admin@extremecanopy.com (888) 201 1968

At Extreme Canopy we design & manufacture all of our products & deliver America wide.
 Please note; imperial measurements in this document have been rounded to the nearest foot, inch or pound. Contact Extreme Canopy for further information.